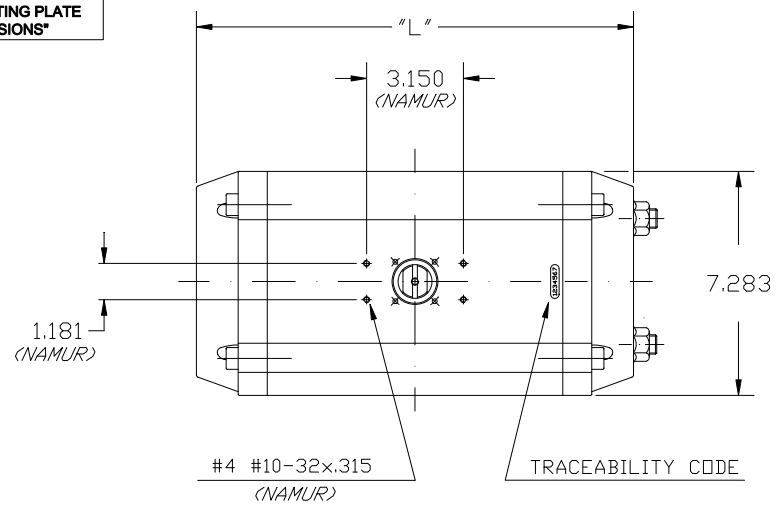
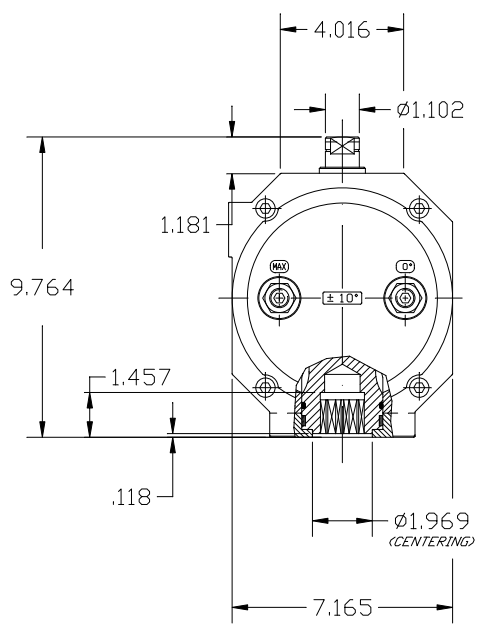


FOR MOUNTING SEE  
TABLE "BOTTOM  
MOUNTING PLATE  
DIMENSIONS"



	90°	120°	135°	150°	180°
l" L "	14.213	15.787	16.929	18.071	19.646

**WEIGHT**

STROKE	DOUBLE ACTING					SPRING RETURN 7+5 SPRING
	90°	120°	135°	150°	180°	90°
LB.	39.24	44.20	46.74	49.27	54.23	49.89

**AIR CONSUMPTION (FULL CYCLE)**

STROKE	DOUBLE ACTING					SPRING RETURN 7+5 SPRING
	90°	120°	135°	150°	180°	90°
CU.-IN.	425.0	512.5	550.0	593.8	656.3	181.3