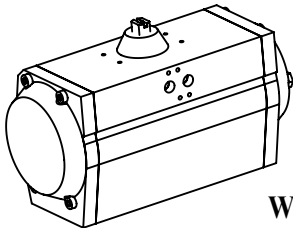
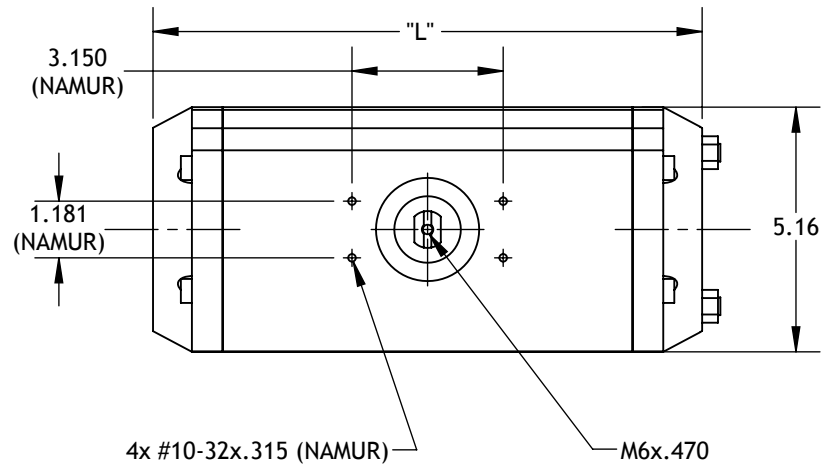
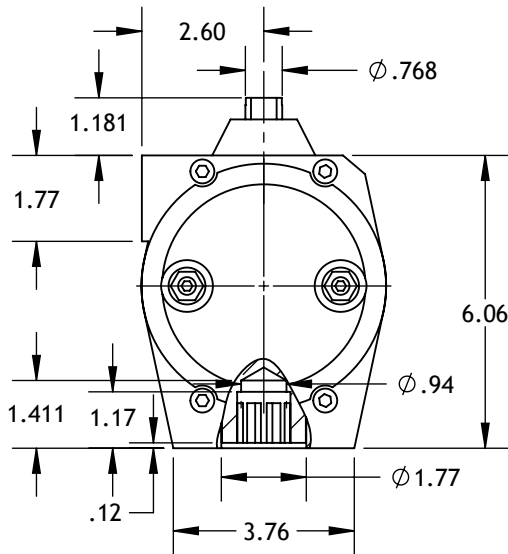
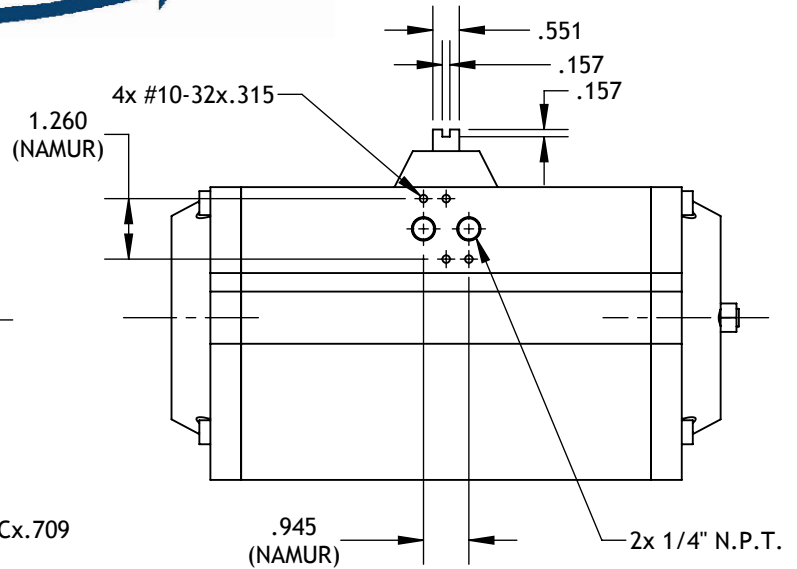
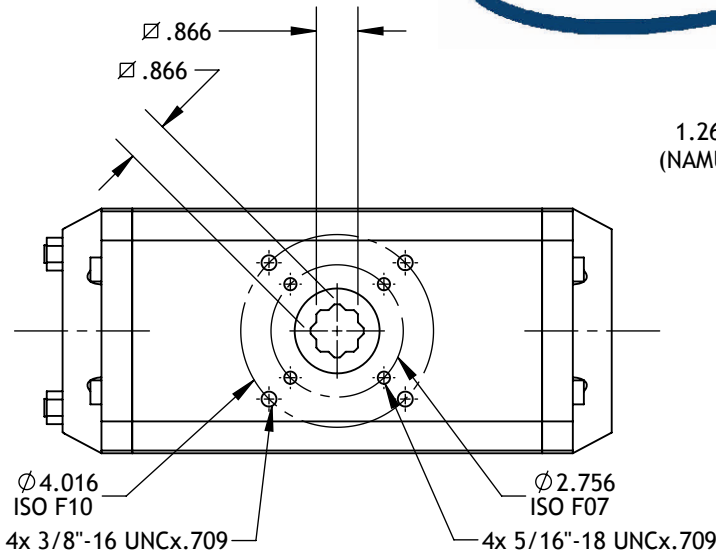


MT41
TECHNICAL DATA



DIMENSIONS TO
ISO 5211 - DIN 3337
AND NAMUR VDI/VDE 3845

DIMENSIONS IN INCHES



WEIGHT

STROKE	DOUBLE ACTING					SPRING RETURN 7+5 SPRING
	90°	120°	135°	150°	180°	90°
LB.	17.2	CALL	CALL	CALL	CALL	20.9

	90°	120°	135°	150°	180°
"L"	11.417	13.228	13.583	14.488	15.787

AIR CONSUMPTION (FULL CYCLE)

STROKE	DOUBLE ACTING					SPRING RETURN 7+5 SPRING
	90°	120°	135°	150°	180°	90°
CU-IN.	190.6	234.4	243.7	262.5	293.7	100.0

Max-Air Technology Inc.

751 Hoff Road - O'Fallon, Missouri 63366 U.S.A.

www.max-airtechnology.com info@max-airtechnology.com