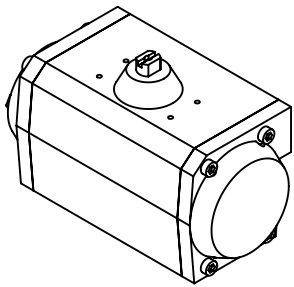
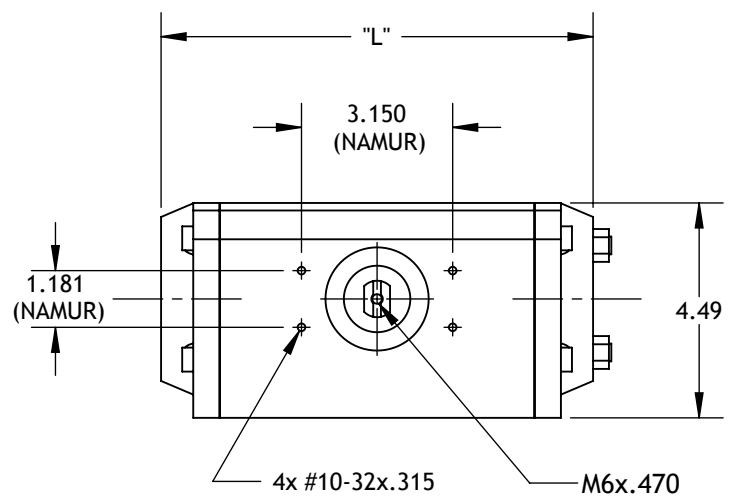
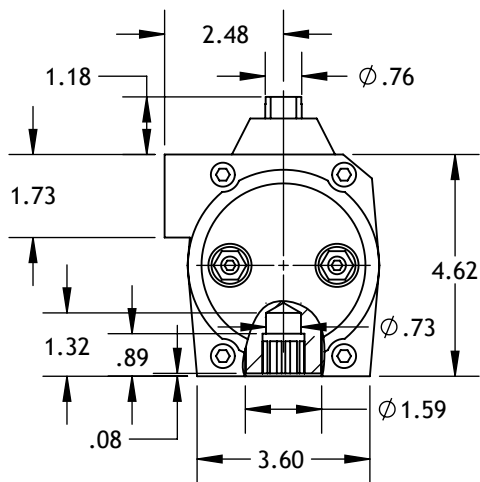
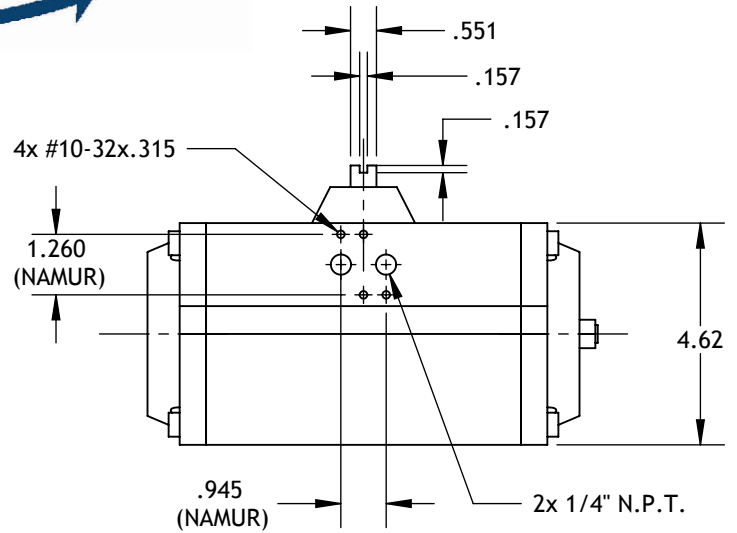
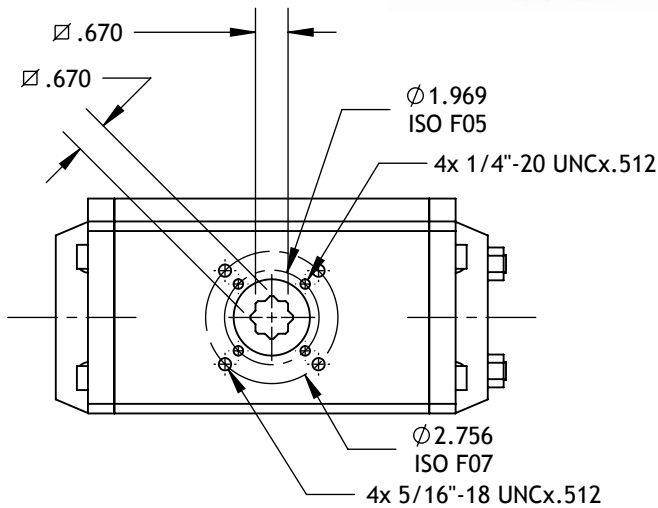


MT31
TECHNICAL DATA



DIMENSIONS TO
ISO 5211 - DIN 3337
AND NAMUR VDI/VDE 3845

DIMENSIONS IN INCHES



WEIGHT

| STROKE | DOUBLE ACTING | | | | | SPRING RETURN 7+5 SPRING |
|--------|---------------|------|------|------|------|-----------------------------|
| | 90° | 120° | 135° | 150° | 180° | 90° |
| LB. | 9.13 | CALL | CALL | CALL | CALL | 10.74 |

AIR CONSUMPTION (FULL CYCLE)

| | 90° | 120° | 135° | 150° | 180° |
|-----|-------|--------|--------|--------|--------|
| "L" | 9.055 | 10.709 | 11.024 | 11.850 | 13.031 |

| STROKE | DOUBLE ACTING | | | | | SPRING RETURN 7+5 SPRING |
|--------|---------------|-------|-------|-------|-------|-----------------------------|
| | 90° | 120° | 135° | 150° | 180° | 90° |
| CU-IN. | 88.9 | 115.6 | 118.8 | 129.4 | 150.0 | 40.6 |

Max-Air Technology Inc.

751 Hoff Road - O'Fallon, Missouri 63366 U.S.A.
www.max-airtechnology.com info@max-airtechnology.com