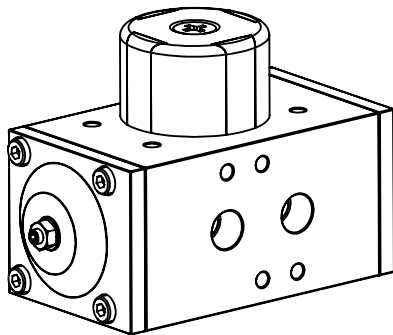
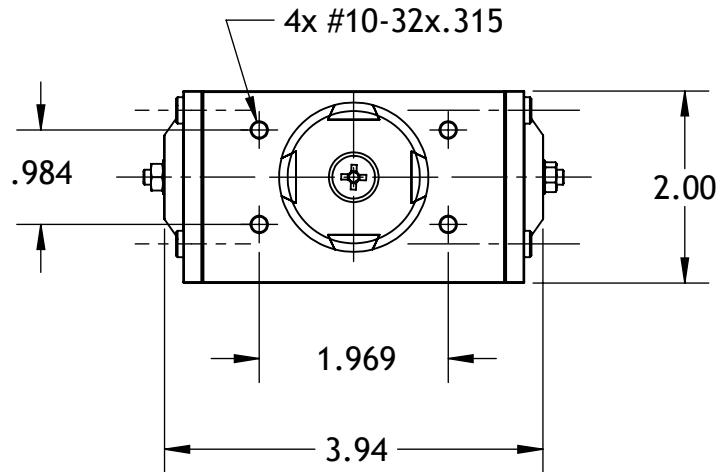
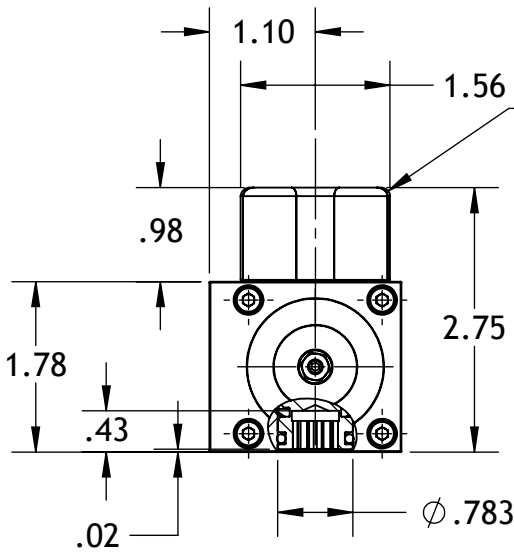
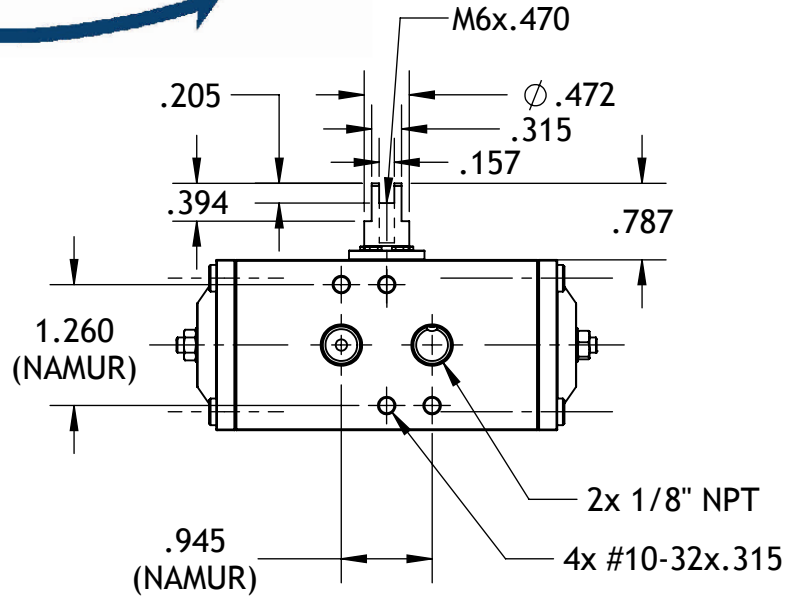
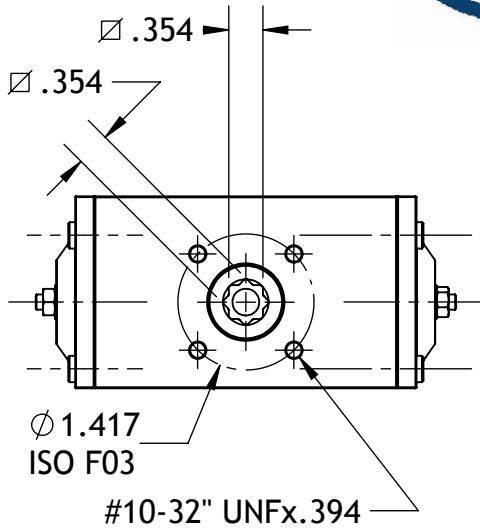


MT04
TECHNICAL DATA



DIMENSIONS TO
ISO 5211 - DIN 3337
AND NAMUR VDI/VDE 3845

DIMENSIONS IN INCHES



WEIGHT (LBS)	AIR CONSUMPTION (CU. IN.)
1.058	4.03

Max-Air Technology Inc.

751 Hoff Road - O'Fallon, Missouri 63366 U.S.A.
www.max-airtechnology.com info@max-airtechnology.com